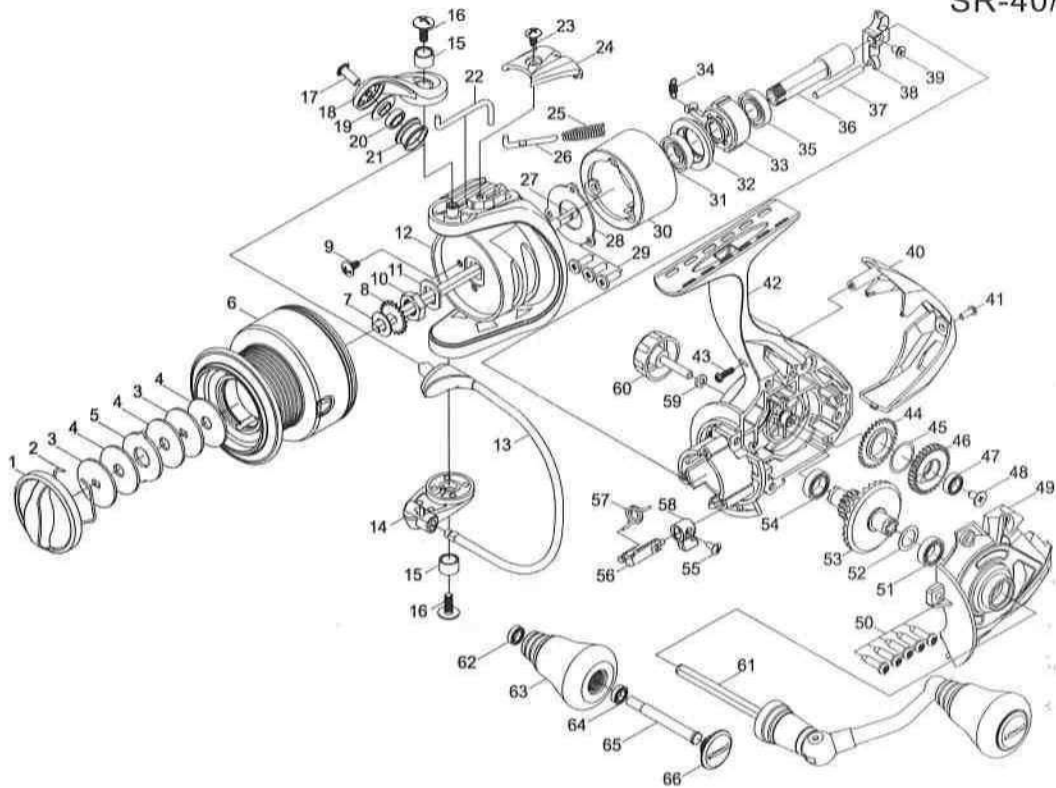


# SR-40/50/60



NO.	Part name	NO.	Part name	NO.	Part name	NO.	Part name
1	Drag knob ass'y	18	Bail arm	35	Pinion gear ball bearing (DOWN)	52	Drive gear washer
2	Spool stop ring	19	Line roller washer	36	Pinion gear	53	Drive gear
3	Front drag washer	20	Line roller bushing	37	Guide shaft	54	Body ball bearing
4	Front lining washer	21	Line roller	38	Oscillation slide	55	Anti reverse leve knob screw
5	Front key washer	22	Bail arm lever	39	Oscillation slide screw	56	Anti reverse lever
6	Spool	23	Bail arm cover screw	40	Body Rear cover	57	Anti reverse lever spring
7	Click gear washer	24	Bail arm cover	41	Body Rear cover screw A	58	Anti reverse lever knob
8	Spool click gear	25	Bail spring	42	Body	59	Handle cap washer
9	Rotor screw	26	Bail spring guide	43	Body Rear cover screw B	60	Handle cap
10	Rotor nut	27	Main shaft	44	Accessorial Oscillation gear	61	Handle ass'y
11	Rotor fixed plate	28	Pinion gear ball bearing plate	45	Oscillation gear O-Shape Ring	62	Bushing A
12	Rotor	29	One way fixed Screw	46	Oscillation gear	63	Handle knob
13	Bail ass'y	30	Dust cover	47	Oscillation gear bushing	64	Bushing B
14	Bail holder	31	Pinion gear ball bearing (UP)	48	Oscillation gear screw	65	Rivet
15	Bail holder/arm bushing	32	Bearing bushing	49	Body cover	66	Knob cover
16	Bail holder/arm screw	33	One way ball bearing	50	Body cover screw		
17	Line roller screw	34	One way ball bearing spring	51	Body cover ball bearing		

\* When you are ordering spare parts, please circle the reel item number and the spare parts name.